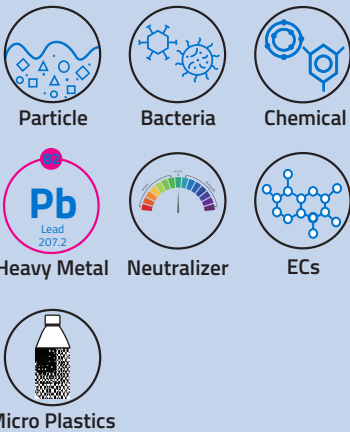


Expert Users



Solutions



#T/K Series

Jaco In-Line Filter Cartridge

Caware CB & MAF Technology Inside



Jaco

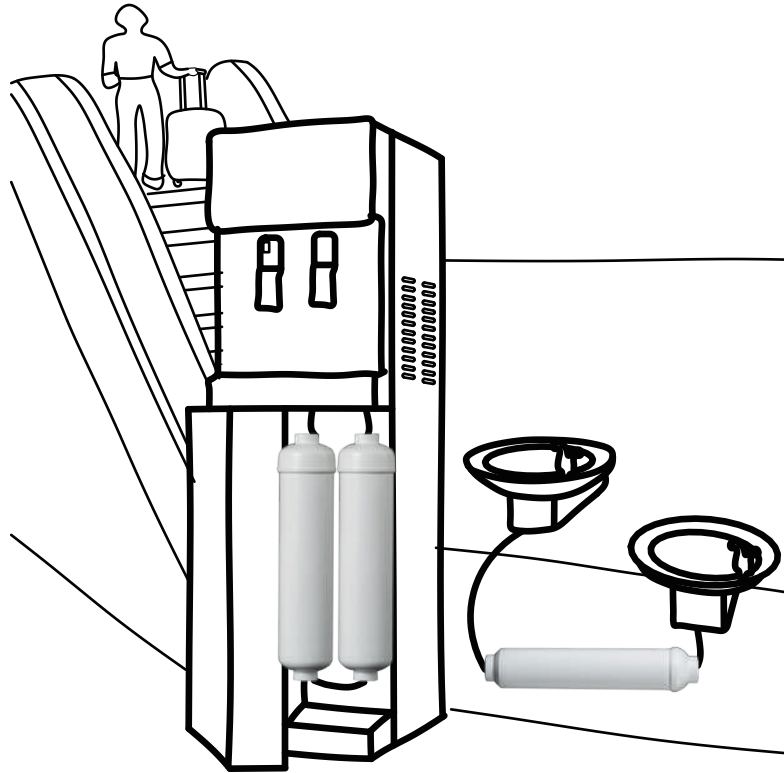


Benefits

- Low pressure drop, high dirt holding capacity, durable physical strength, and steady flow to achieve reliable performance and long life usage.
- Multiple and customized media available upon request to challenge varieties of contaminants in tap water.
- All elements, media, and materials comply with NSF & FDA requirements.

Utility

→		Departures
←		Arrivals
↗		Train
↖		Bus



Specification

Type	Dimension (OD x L)	Port Size	Applicable Claiming Index
T	2" x 6" (50 x 152mm) 2" x 10" (50 x 254mm)	1/4" NPT 3/8" NPT	C - Coconut shell GAC PP - Sediment PP block CB - Activated carbon block LBG - Lead reduction carbon block NBG - Chloramine reduction carbon block SBG - Antibacterial carbon block pH - Alkaliner SS - Scale inhibitor
K	2.5" x 12" (64 x 300mm)	1/4" NPT	MF - Log 9 bacteria reduction hollow fiber MAF - 3-in-1 particle, chemicals, and log 9 bacteria reduction

* Product Data Sheets are available upon request

* Caware labeling & private label are available

Refreshingly Simple