

Expert Users



Cafe



Domestic



Commercial

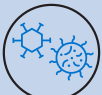


Public

Solutions



Particle



Bacteria



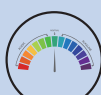
Chemical



Heavy Metal



Water Soften



Neutralizer



ECs



Micro Plastics



PFAS

# #WM Series

Quick Connect Filter Cartridge

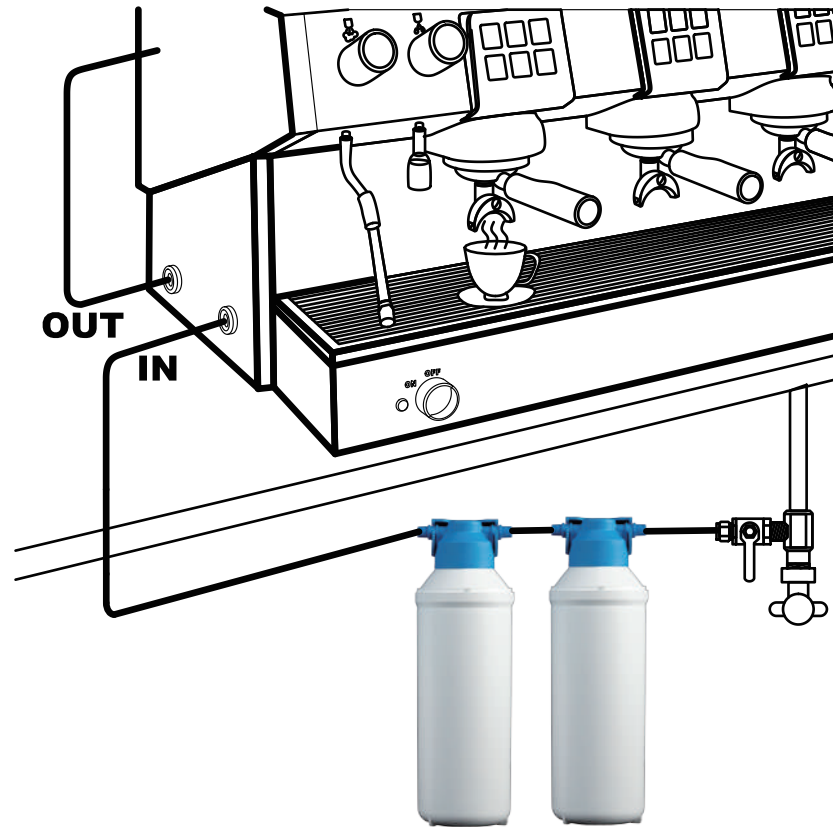
Caware CB & MAF Technology Inside





## Benefits

- High flow performance, low pressure drop, and long life span to simplify the filtration stages and installation space.
- Quick and easy installation for friendly replacement.
- Multiple and customized media available upon request to challenge varieties of contaminants in tap water.
- NSF 42 certified for material safety & NSF 53 for cyst reduction.

## Utility



## Specification

Type	Dimension (OD x L)	Applicable Claiming Index
095WM	3.7" x 9.5" (94 x 238mm)	PP - Sediment PP block CB - Activated carbon block LBG - Lead reduction carbon block NBG - Chloramine reduction carbon block SBG - Antibacterial carbon block
14WM	3.7" x 14" (94 x 356mm)	RL - Water soften longevity ion exchanger RM - Magnesium leaching ion exchanger DI - Demineralisation mixed-bed ion exchanger
17BWM	5.4" x 17" (141 x 421mm)	pH - Alkaliner SS - Scale inhibitor MF - Log 9 bacteria reduction hollow fiber MAF - 3-in-1 particle, chemicals, and log 9 bacteria reduction
AH-P-WM		3/8" NPT male valve-in adapter head with bracket
FV-P-WM		Flush valve kit

\* Adaptable to BWT® water+more® series

\* Product Data Sheets are available upon request

\* Manifold stages are available upon request

\* Caware labeling & private label are available

*Refreshingly Simple*