

Expert Users



Bio-Lab



Domestic



Commercial



Public



Industrial



G2G

Solutions



Particle



Chemical



Heavy Metal



ECs

#CB Series

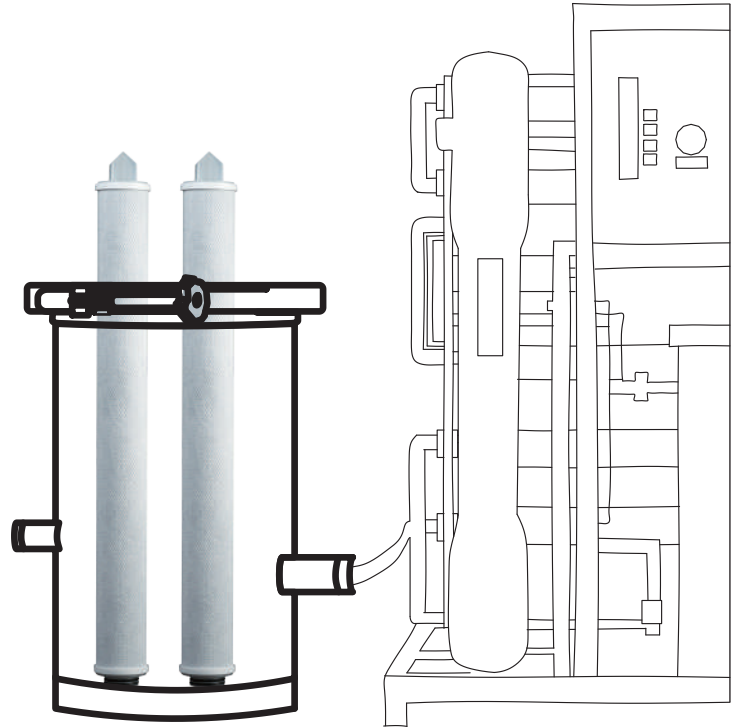
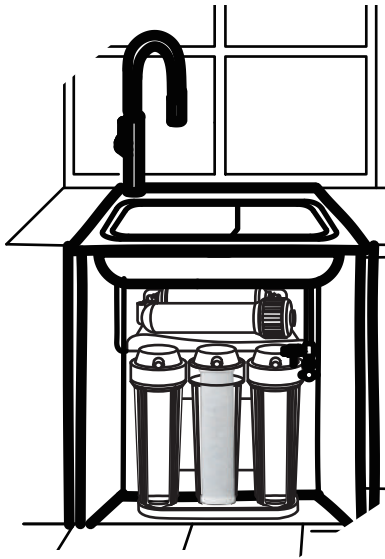
Coconut Shell Activated Carbon Block

Caware CB Technology Inside



Benefits

- 100% genuine coconut shell activated carbon block with high permeability, constancy density & an extreme peak micron rating.
- Guaranteed product longevity with low pressure drop & low carbon fines leaching.
- Multiple and customized media available upon request to challenge varieties contaminants in tap water.
- NSF 42 certified for material safety.



Specification

Type	Dimension (OD x L)	Micron Rating	Applicable Claiming Index
CB	2.5" x 5" (71.5 x 127mm)	0.5um 1um 5um	CBC - Activated carbon block CBG - Super activated carbon block LBG - Lead reduction carbon block NBG - Chloramine reduction carbon block
	2.5" x 9.87" (71.5 x 250mm)		
	2.5" x 10" (71.5 x 254mm)		
	2.5" x 20" (71.5 x 508mm)		
	2.5" x 30" (71.5 x 762mm)		
	2.5" x 40" (71.5 x 1016mm)		
	4.5" x 10" (118 x 250mm)		
4.5" x 20" (118 x 508mm)			

- * 222/ Fin caps are available for industrial application
- * Product Data Sheets are available upon request
- * Caware labeling & private label are available

Refreshingly Simple